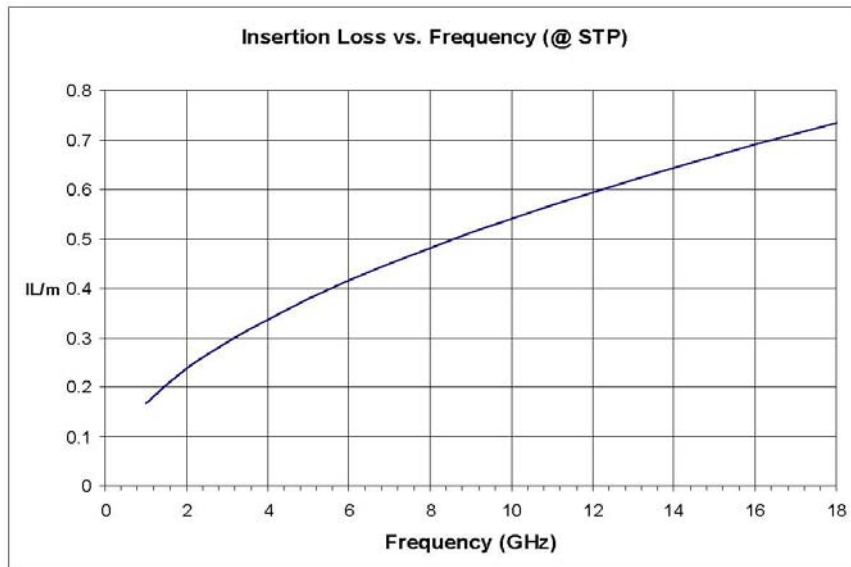
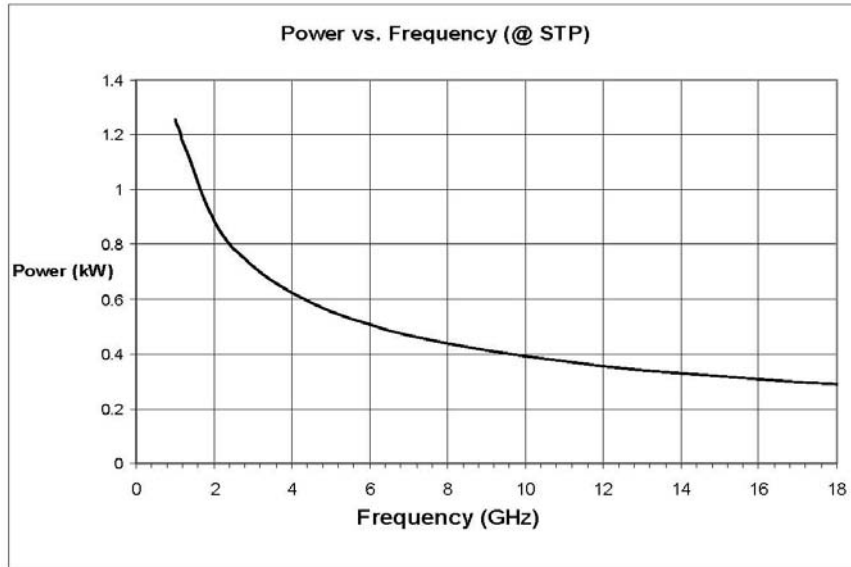


**Model CC1 Series
Microwave Coaxial Cables**

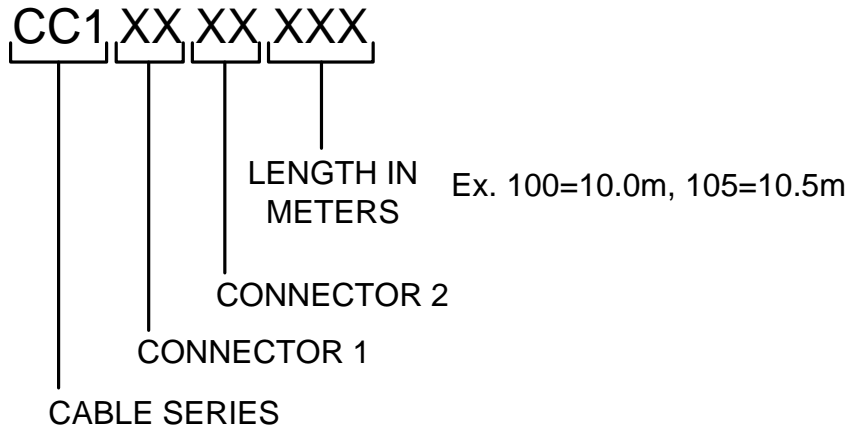
AR RF/Microwave Instrumentation offers a standard product line of armored low loss microwave coaxial cables. VSWR is typically less than 1.35:1. The CC1 Series is designed for applications with frequencies up to 18GHz.



L1=Cable insertion loss/m at any frequency= $.150*\sqrt{FGHz}+.0059*(FGHz)$
 L2=Connector loss at any frequency= $.0087*\sqrt{FGHz}+.0057*(FGHz)$
 Total assembly loss=L1+2*L2

COAXIAL CABLE ORDERING GUIDELINES

Use the following guidelines when ordering cables:



CONNECTORS	
TYPE	PREFIX
SMA male	07
TNC male	09
N male	11
N female	12
7-16 male	13
7-16 female	14

Connector Type	Max Power @ Max Frequency Watts @ GHz
SMA	100@18
TNC	250@18
N	250@18
7-16	440@8

NOTE: *Maximum operating frequency and power handling capability of cable will be determined by the lowest frequency or power connector.*