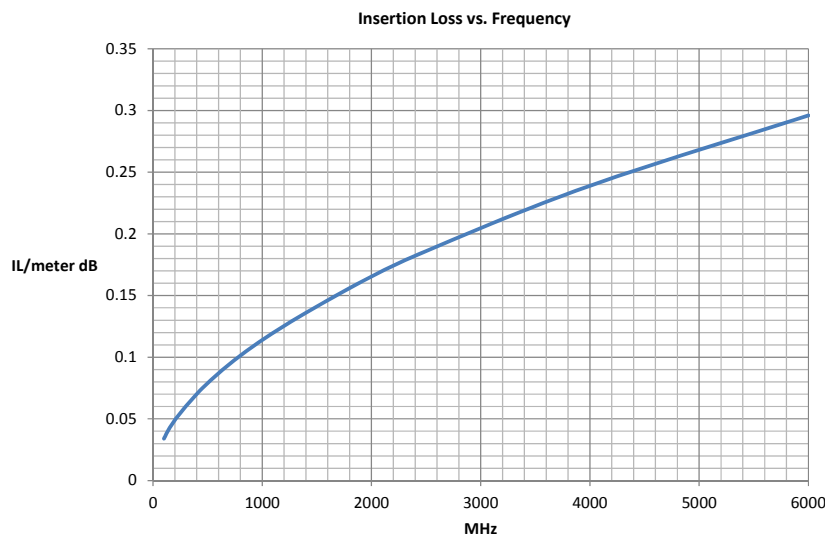
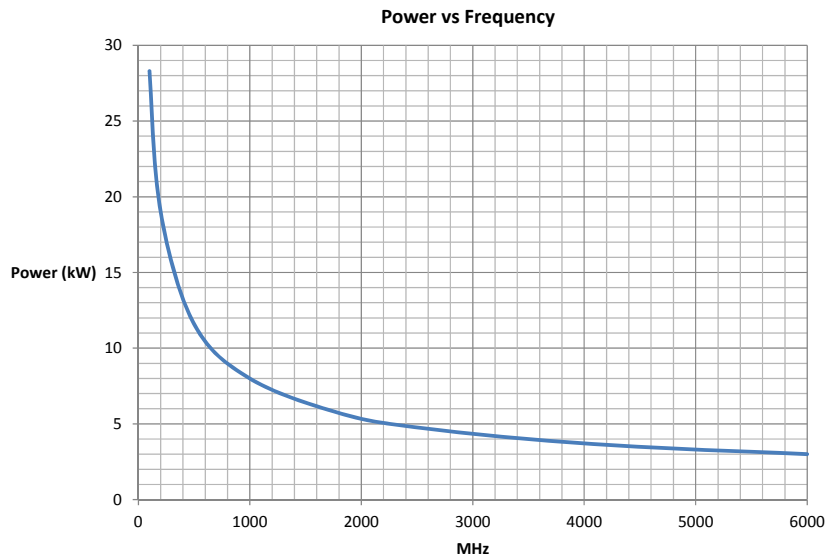




Model CC4 Series Microwave Coaxial Cables

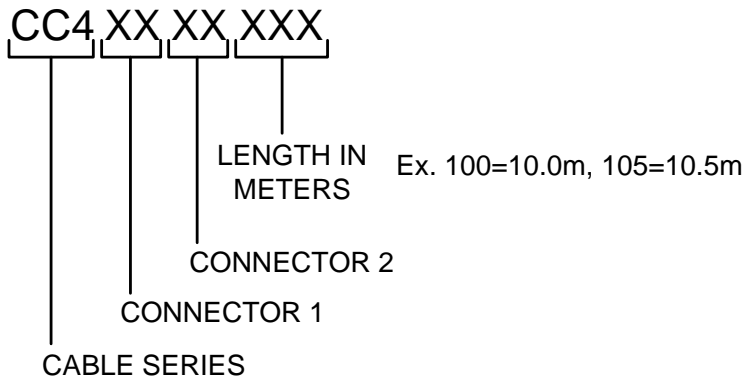
AR RF/Microwave Instrumentation offers several lines of low loss microwave coaxial cables. The CC4 cable series provides a rugged yet flexible solution to the heavy and bulky coax often used with high power amplifiers. The flexibility of this cable eases cable management when maneuvering equipment, yet can handle high RF power levels. The CC4 cables are recommended for AR's high power A, W, and S series amplifiers, or other applications in the appropriate frequency and power range. VSWR is typically less than 1.25:1.

All CC4 Series cables are classified for export as EAR99. These commodities, technology or software are controlled for export in accordance with the U.S. Export Administration Regulations. Diversion contrary to U.S. law is prohibited.



COAXIAL CABLE ORDERING GUIDELINES

Use the following guidelines when ordering cables:



CONNECTORS	
TYPE	PREFIX
N male	11
7-16 male	13
7/8 EIA	15
1-5/8 EIA	16
TRU-SQS [®] male	17
TRU-QRM [™] male	19
TRU-QDS [®] male	21

Connector Type	Max Power @ Max Frequency Watts @ GHz
N	400@6
7-16 DIN	750@6
7/8 EIA	900@6
1-5/8 EIA	3200@3
TRU-SQS [®] male	5000@.5
TRU-QRM [™] male	2200@1
TRU-QDS [®] male	700@6

Finished outside diameter: 12.44 mm (0.490 in)

Minimum bend radius: 38.1 mm (1.5 in)

NOTES: *Maximum operating frequency and power handling capability of cable will be determined by the lowest frequency or power connector.*
 EIA connectors configured with removable center bullet.
 Minimum cable length is .5 m

NOTE: TRU-SQS and TRU QDS are registered trademarks of the TRU Corporation; TRU-QRM is a trademark of the TRU Corporation.