



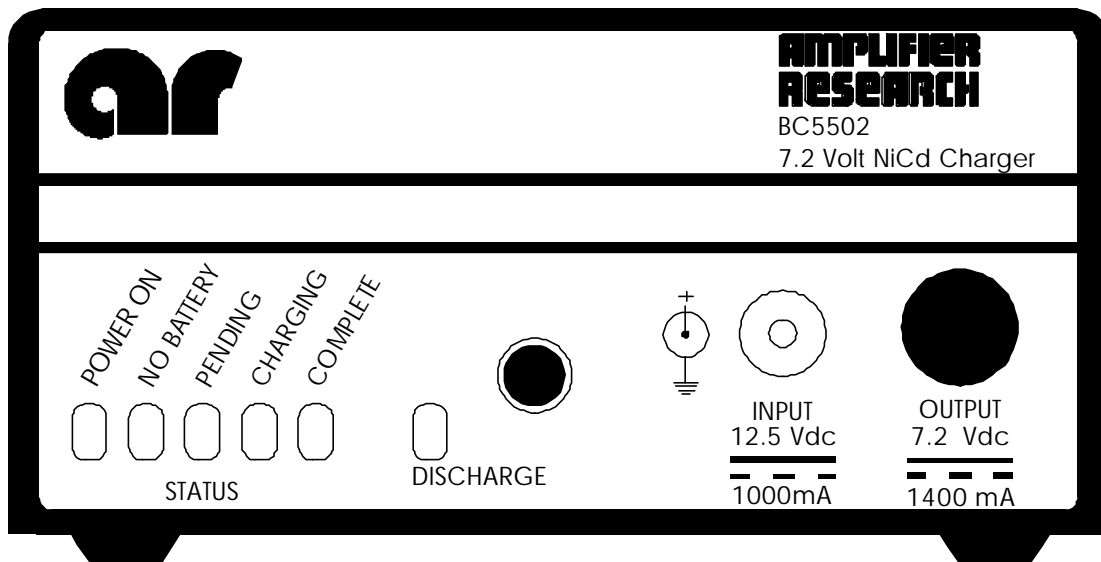
160 School House Road, Souderton, PA 18964-9990 USA  
Phone 215-723-8181•FAX 215-723-5688

MODEL BC5502  
Fast Charger,  
for Field Monitor FM5501

The BC5502 single channel NiCad Battery Charger is a dual power source one hour battery charger. It charges 7.2 volt 1400 mAH NiCad batteries and is powered by 120 / 240 VAC line power or 12.5 VDC. The BC5502 uses a  $-(dV/dT)$ (negative delta V) technique to determine when the battery is fully charged, typically within one hour. With this technique, the charge state of the battery has no effect other than shortening the charge time.

Housed in a ventilated enclosure, power enters the battery charger through an international IEC power entry module which contains the fuses and the voltage selection switch or an automobile accessory outlet plug adapter. The IEC connector provides an internationally accepted power entry terminator which can be used with a variety of line cords. LED's on the front face of the unit provide operating mode and error information to the user. The battery charger connects to the device being charged by means of a short cord terminated with 5.5 mm plug.

An integrated circuit within the charger monitors the battery voltage and controls the charging functions according to the charge state of the battery.



REV032201

**SPECIFICATIONS**  
**MODEL BC5502**

<b>POWER</b> .....	<b>110 – 240 VAC</b> <b>50 - 100Hz, IEC filtered connector</b>
<b>ALTERNATE</b> .....	<b>Automobile accessory outlet to 2 mm</b> <b>Power plug adapter cord 12.5 VDC, 1000 ma</b>
<b>FUSES</b> .....	<b>1.0 Amp, 250 VAC (Type T, 5 mm x 20 mm)</b>
<b>OUTPUT</b>	
<b>Output Open Circuit Voltage</b> .....	<b>15 Vdc</b>
<b>Fast Charge Pending Current</b> .....	<b>60 mA</b>
<b>Fast Charge Current</b> .....	<b>1400 mA</b>
<b>Pulsed Trickle Charge Current</b> .....	<b>50 mA</b>
<b>Output Voltage (during fast charge)</b> .....	<b>6-12 Vdc</b>
<b>NiCd BATTERY</b> .....	<b>7.2 Volt 6 Cell NiCd Battery, 1400 mA<sub>H</sub> (Rapid Charge</b> <b>cells, 1.2 volts/cell)</b>
<b>OPERATING TEMPERATURE RANGE</b> .....	<b>10 to 40°C (50-104°F)</b> <b>@ 5-95% RH non-condensing</b>
<b>WEIGHT (maximum)</b> .....	<b>0.54 kg.</b> <b>1.2 lb.</b>
<b>SIZE ( W x H x D )</b> .....	<b>11.18 x 5.08 x 17.8 cm</b> <b>4.4 x 2.0 x 7.0 in</b>